

# MEDE TECHNIK

## INHALTSVERZEICHNIS

### **MH - STERILISATION | AUFBEWAHRUNG**

Sterilisation & Aufbewahrung	2
Nadel Sterilisierkästchen	4

## CONTENTS

### **MH - STERILIZATION | CONSERVATION**

<i>Sterilization &amp; Conservation</i>	2
---	---



Ausgabe: 12/2010

CERTIFICATES DIN EN ISO 13485

**MEDE Technik**

Rudolf-Diesel-Str. 13  
D-78576 Emmingen

Tel: +49 (0)7465 893  
Fax: +49 (0)7465 2262

info@mede.de  
www.mede.de



MH



Standzylinder  
 50x100mm  
 MH.302.10

50x130mm  
 MH.302.13

50x175mm  
 MH.302.17

75x100mm  
 MH.302.40

75x130mm  
 MH.302.43

75x175mm  
 MH.302.47

Mit festem Fuß



Standzylinder  
 50x100mm  
 MH.303.10

50x130mm  
 MH.303.13

50x175mm  
 MH.303.17



Nierenschalen

MH.600.17 = 170mm

MH.600.20 = 200mm

MH.600.25 = 250mm

MH.600.27 = 275mm



Laborschale

- MH.660.04 = 40x19mm
- MH.660.06 = 60x30mm
- MH.660.08 = 85x41mm
- MH.660.11 = 115x56mm
- MH.660.12 = 130x55mm
- MH.660.14 = 150x65mm

Mit Ausguß  
 with spout



Lösungsschale

- MH.650.04 = 4,5cm 0,03l
- MH.650.06 = 6,0cm 0,10l
- MH.650.08 = 8,0cm 0,15l
- MH.650.10 = 10,0cm 0,25l
- MH.650.12 = 12,0cm 0,5l
- MH.650.16 = 16,0cm 1l
- MH.650.20 = 20,0cm 2l
- MH.650.24 = 24,0cm 4l



**Lösungsschale  
breiter Rand**



8cm x 3,5cm	MH.665.08
9cm x 5,5cm	MH.665.09
10cm x 6,5cm	MH.665.10
12cm x 7,0cm	MH.665.12

**Watte- und Tupferbehälter**



		
Durchmesser diameter	Höhe height	
8,5cm	8,5cm	MH.670.09
10cm	10cm	MH.670.10
12cm	12cm	MH.670.12
15cm	15cm	MH.670.15



Stechbecken mit Deckel

Article No.	Size
MK.102.31	31cm



Stechbecken ohne Deckel

Article No.	Size
MK.105.24	32x24cm
MK.105.29	37x29cm



Article No.	For	Article No.	For	Article No.	For
MK.106.20	Female	MK.106.15	Urinal	MK.106.10	Male

# NADEL STERILISIERKÄSTCHEN STERILIZATION AND CONSERVATION

ESTERILIZACIÓN Y CONSERVACIÓN  
BOITES POUR STÉRILISER DES AIGUILLES  
SCATOLE PER STERILIZZARE AGHI

MH



MH.810.65

65mm  
komplett  
Complete  
completa  
complète  
compita



MH.811.65

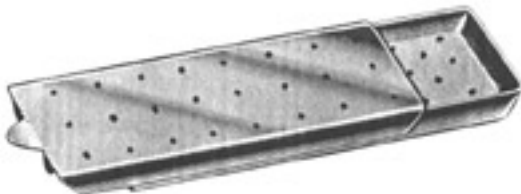
62mm  
Innendose allein  
insert only  
caja interior suelta  
boite interior suelta  
Scatola interiore sola



MH.800.50 = 50 x 25 x 4,5mm

MH.800.65 = 65 x 42 x 8mm

MH.800.75 = 75 x 25 x 4,5mm



MH.802.50 = 50 x 25 x 4,5mm

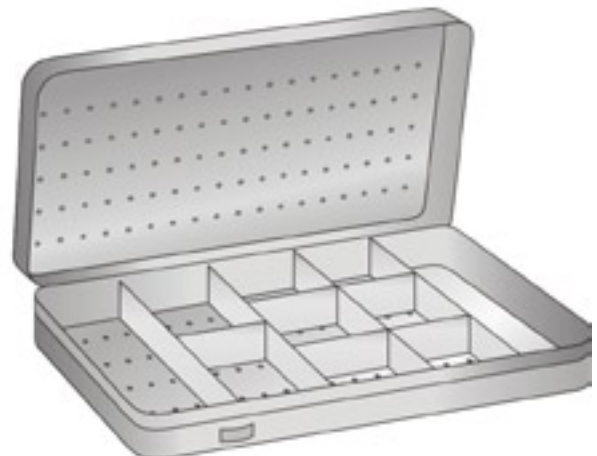
MH.802.65 = 65 x 42 x 8mm

MH.802.75 = 75 x 25 x 4,5mm



200 x 120 x 15mm

MH.815.20



150 x 95 x 13mm

MH.818.15

